



Element-Tec® Silos are made from Steel Sheet. The elements are prefabricated and can be stacked perfectly for low transport volume. The installation of the bolted elements on site is very easy, welding is not required.

**Roof:** The roof is equipped with inlet, manhole, edge railing and all required fittings.

**Shell:** The silo size determines the number of shell elements.

**Discharge systems and bottom plate:** The Silo is designed with a flat bottom and adapted for SAXWERK discharge systems. Two standard types are available, Type M and Type P.

**Type M:** The shell elements are supported on a concrete base.

**Type P:** Is designed with a substructure of steel supports

## // BOLTED SILOS

**For difficult materials with proven discharge systems**

- Low priced transportation worldwide
- Bolted design
- Fast installation
- No welding work at the construction site
- Volume 50 – 600 m<sup>3</sup>

### ■ Factory adapted discharge systems:

- Hydraulic rotor
- Spring rotor
- Screw rotor
- Sliding frame

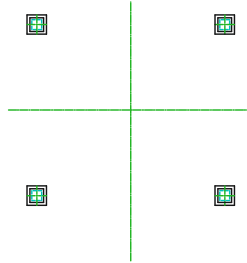
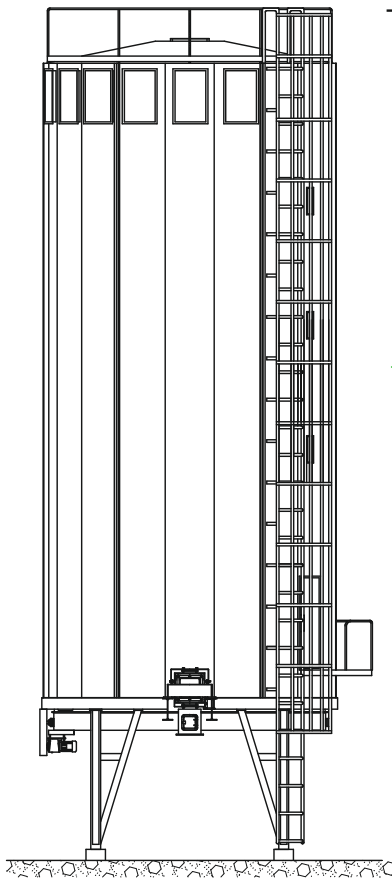
**Element-Tec®**  
**Silos**



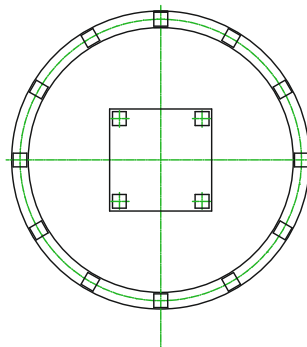
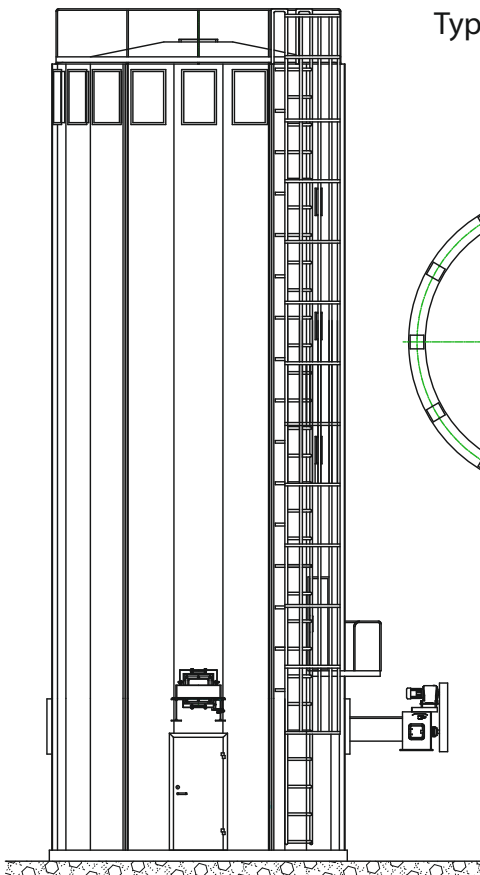
# SAXWERK

50 Years of Experience in Material Handling and Biowaregy

Typ P



Typ M



## STANDARD-SILOS

Type	Diameter (mm)	Volume (Cbm)
01	4140	100
02	5025	200
03	5950	350
04	6800	450
05	7470	600

**SAXWERK AB, BOX 97**  
137 22 Västerhaninge // Sweden  
Phone +46 (0)8-500 666 90  
E-Mail [info@saxwerk.se](mailto:info@saxwerk.se)  
[www.saxwerk.se](http://www.saxwerk.se)

**SAXWERK GMBH**  
Sellhorner Weg 28 // 29646 Bispingen  
Telefon +49 (0)51 94 41 80 901  
Telefax +49 (0)51 94 41 82 703  
E-Mail [info@saxwerk.de](mailto:info@saxwerk.de)  
[www.saxwerk.de](http://www.saxwerk.de)