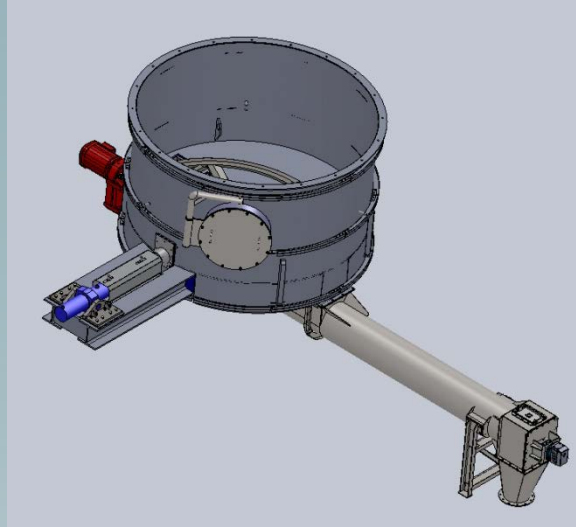




SAXWERK

PLANT REPORT SAX 780-2

Götaverken Miljö Templeborough, UK England Ash discharge system 100m³/h



Ash discharge system 100m³/h

Saxwerk delivered in 2016 a discharge system for residue and ash to Götaverken Miljö's flue gas cleaning system in Templeborough in UK England.

Saxwerk has delivered complete system with silo bottom, sliding frame and the discharge screw.

Technical data:

| | |
|------------------------------|-----------------------|
| Material: | Ash/Residue |
| Capacity: | 100 m ³ /h |
| Diameter silo bottom: | 3000 mm |
| Height silo bottom: | 1500 mm |
| Silo volume: | 190 m ³ |



SAXWERK