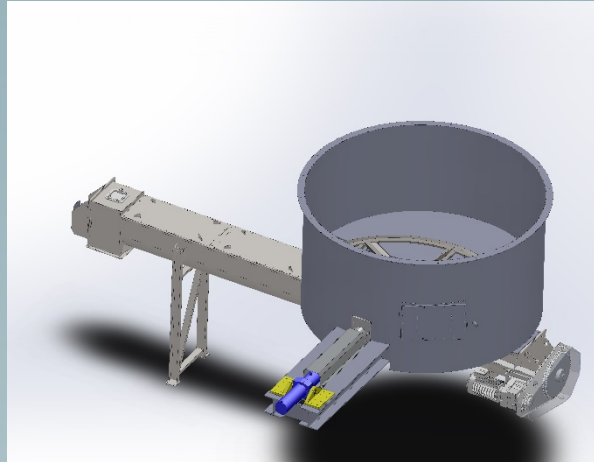




SAXWERK

PLANT REPORT SAX 1020

GE Boden Ash discharge system 120m³/h



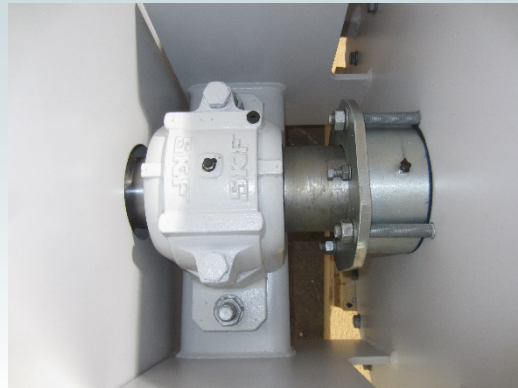
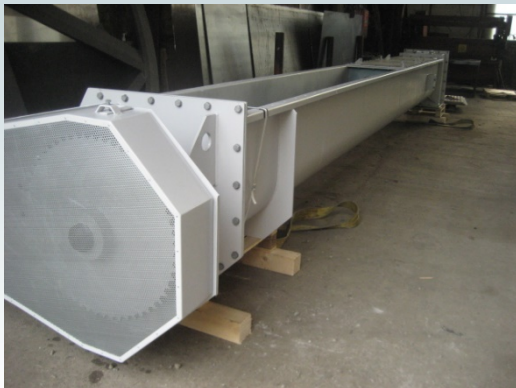
Ash discharge system 120m³/h

Saxwerk delivered in 2017 one discharge system for bottom ash to GE Power Sweden AB for ash handling system in Boden.

Saxwerk has delivered complete system with drawings for silo bottom, sliding frame and the discharge screw.

Technical data:

Material:	Bottom ash
Capacity:	120 m ³ /h
Diameter silo bottom:	3500 mm
Height silo bottom:	1600 mm
Silo volume:	300 m ³



SAXWERK