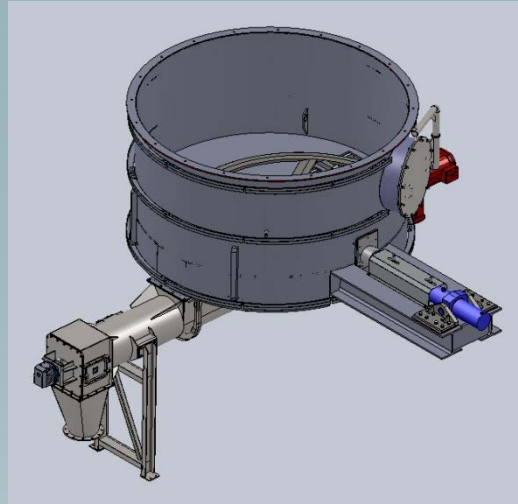




SAXWERK

PLANT REPORT SAX 780-3

Götaverken Miljö Dunbar, UK Scotland
Two ash discharge system 100m³/h each



Ash discharge system 100m³/h

Saxwerk delivered in 2016 two discharge system for residue and ash to Götaverken Miljö's flue gas cleaning system in Dunbar in UK Scotland.

Saxwerk has delivered two complete system with silo bottom, sliding frame and the discharge screw.

Technical data:

Material:	Ash/Residue	
Capacity:	100	m ³ /h
Diameter silo bottom:	3000	mm
Height silo bottom:	1500	mm
Silo volume:	190	m ³



SAXWERK