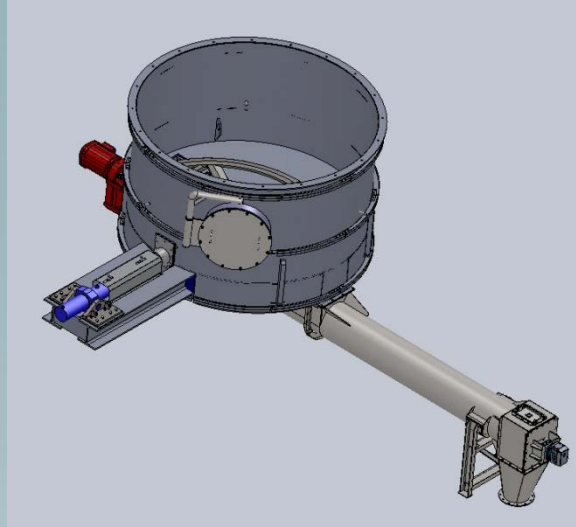




SAXWERK

PLANT REPORT SAX 780-2

Götaverken Miljö Templeborough, UK England
Ash discharge system 100m³/h



Ash discharge system 100m³/h

Saxwerk delivered in 2016 a discharge system for residue and ash to Götaverken Miljö's flue gas cleaning system in Templeborough in UK England.

Saxwerk has delivered complete system with silo bottom, sliding frame and the discharge screw.

Technical data:

Material:	Ash/Residue
Capacity:	100 m ³ /h
Diameter silo bottom:	3000 mm
Height silo bottom:	1500 mm
Silo volume:	190 m ³



SAXWERK