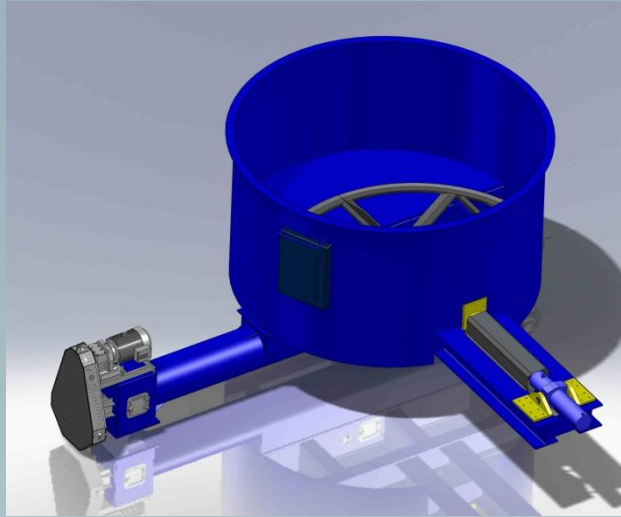




SAXWERK

PLANT REPORT SAX 447

Alstom Power Sweden AB Klaipeda, Lithuania Ash discharge system 120m³/h



Ash discharge system 120m³/h

Saxwerk delivered in 2012 a discharge system for end product and ash to Alstoms Power Sweden AB flue gas cleaning system in Klaipeda Lithuania.

Saxwerk has delivered complete system for silo bottom, sliding frame system and the metering screw.

Technical data:

Material:	End product / Ash	
Capacity:	120	m ³ /h
Diameter silo bottom:	3500	mm
Height silo bottom:	1500	mm
Silo volume:	340	m ³



SAXWERK